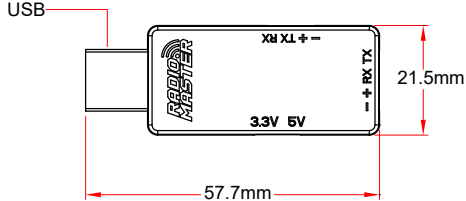
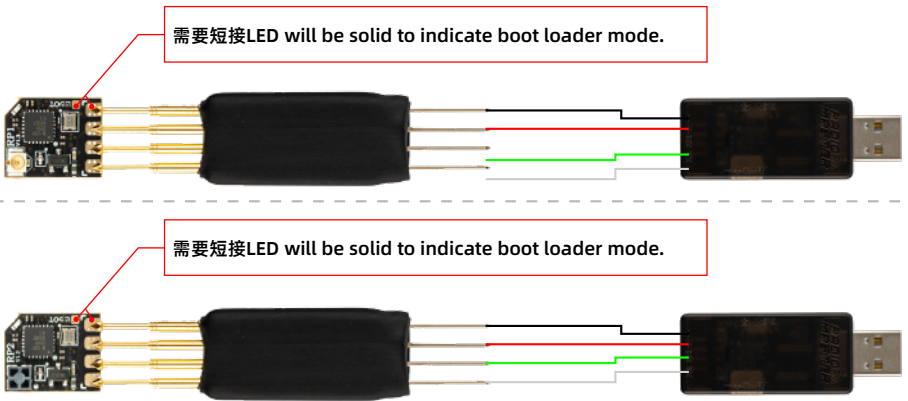


USB接口	Type-A	USB	Type-A
工作电压	5V	Working voltage	5V
输出电压	3.3V/5V	Output voltage	3.3V/5V
过载保护	500mA	Overload protection	500mA

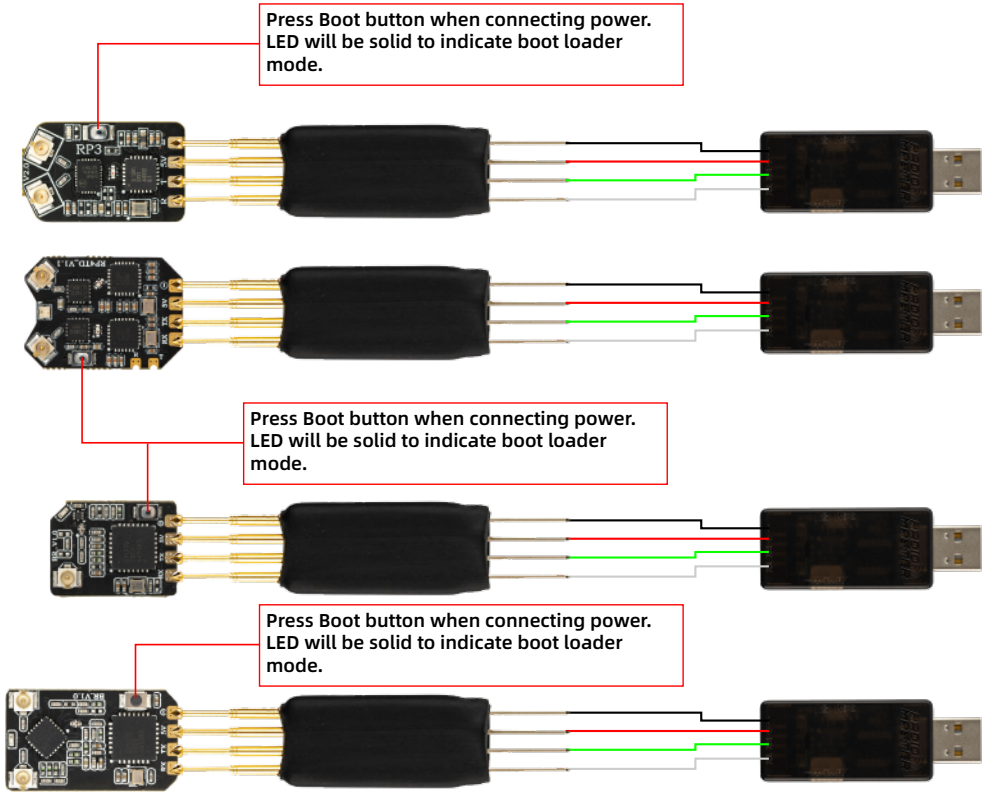
驱动程序Drive program: www.radiomasterrc.com/products/radiomaster-expresslrs-usb-uart-flasher?_pos=1&_sid=00785278d&_ss=r



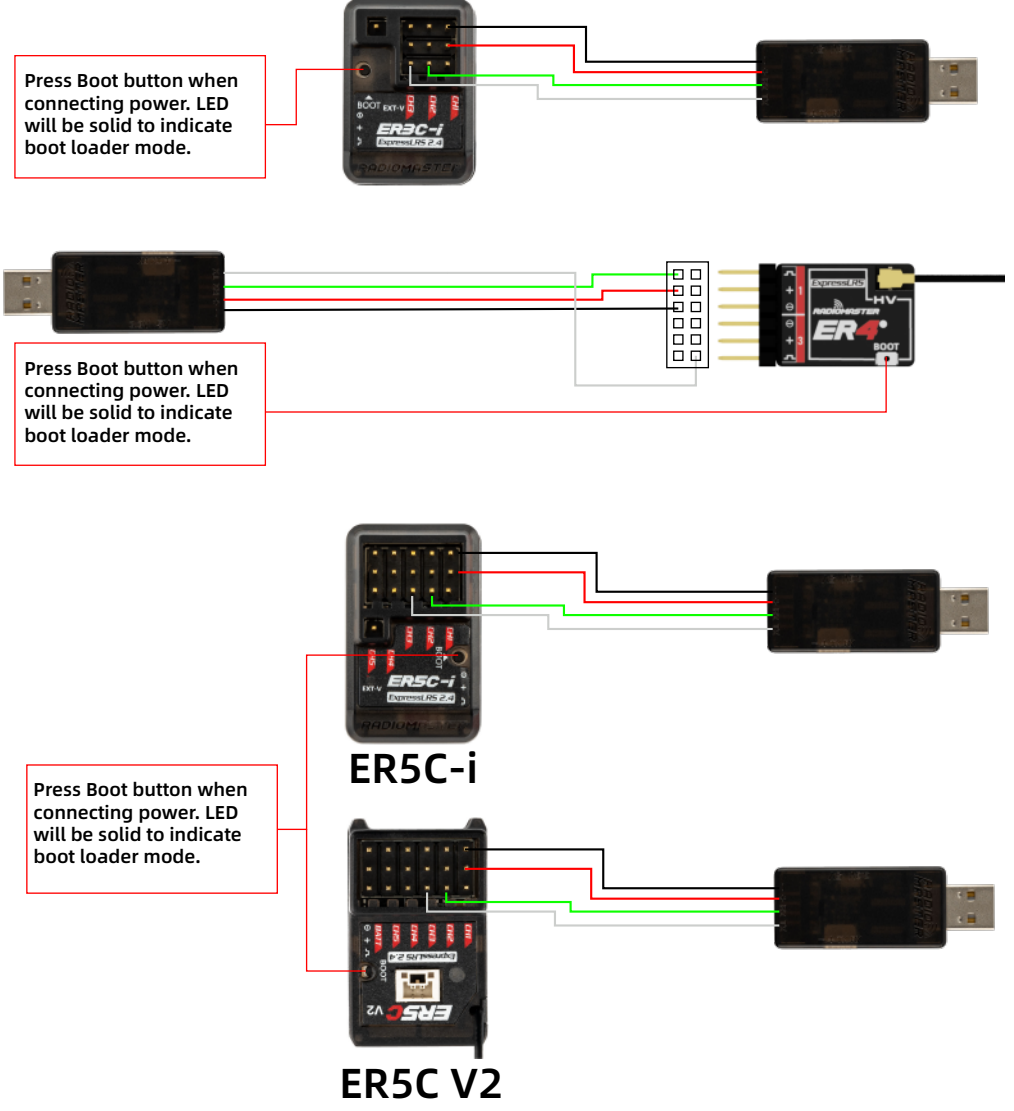
RP1,RP2



RP3,RP4TD,BR1,BR3

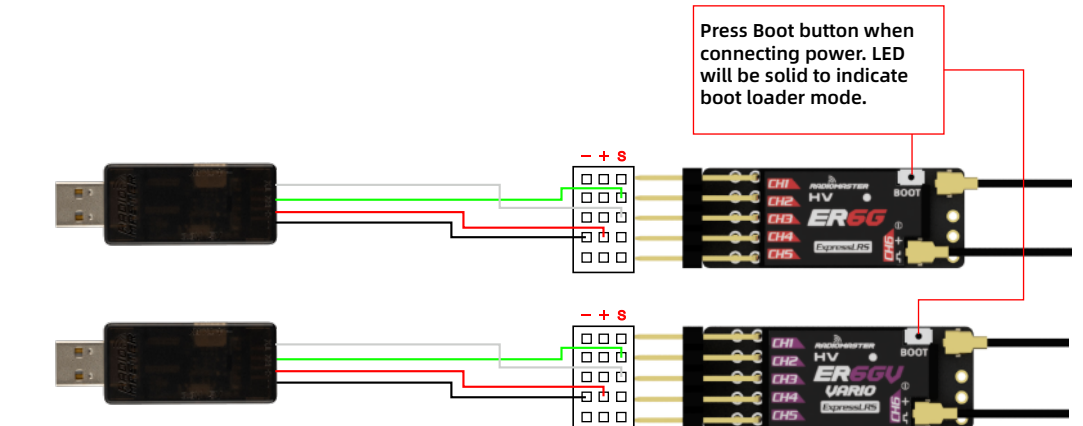


ER3CI,ER4,ER5CI,ER5CV2,ER5AV2,ER6G,ER6GV



ER5C-i

ER5C V2



ER6,ER8,ER8G,ER8GV

